

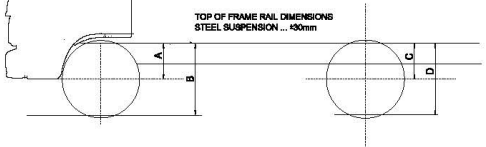
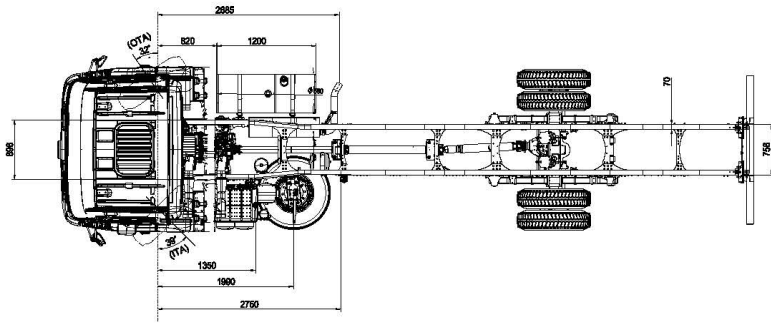
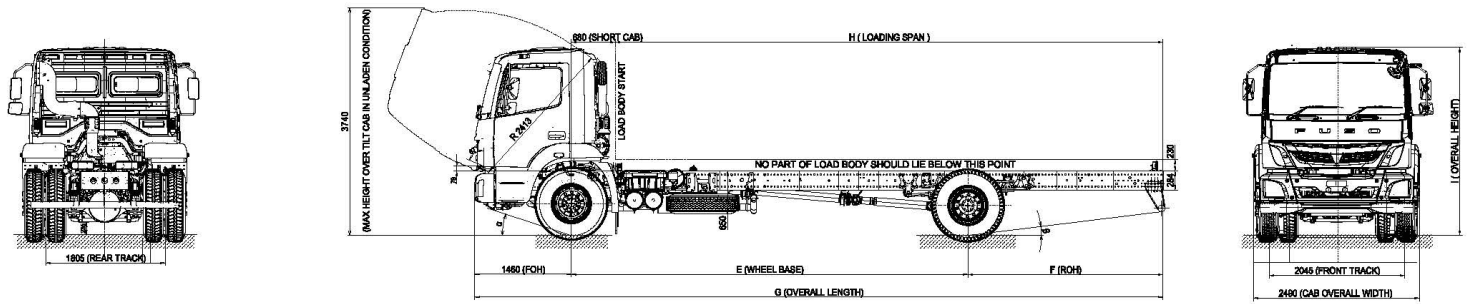
SPECIFICATIONS

FJ16-230L

Make		FUSO
Range		FJ
Model		FJ16-230L
Model Code		FJX4WP1RBSA
Axle Layout		4x2
Cab		extended day cab
Crew		3 seating
Vehicle type		Freight Carrier
Mass Data (kg)		
GVM	Manufacturer's gross vehicle mass	16000
GCM	Manufacturer's gross combination mass	24000
D/T	Permissible max towing drawing vehicle mass	24000
GA-Front	Manufacturer's front axle mass	7000
GA-Rear	Manufacturer's rear axle mass	10000
V	Permissible maximum vehicle mass	16000
AF	Permissible maximum front axle mass	7000
AR	Permissible maximum rear axle mass	9000
UF	Unladen front axle mass	3849
UR	Unladen rear axle mass	2231
UT (Tare)	Total unladen mass	6080
Permissible Body + Payload		9920
Fuel Tank (Litres)	Capacity	290
Dimensions (mm)		
OL	Overall length	10410
OW	Overall width	2490
CA	Cab to Axle	5390
OH	Overall height	2980
FOH	Front overhang	1460
ROH	Rear overhang	2950
WB	Wheelbase	6000
Performance		
Maximum Running Gradeability %		38.8%
Maximum Speed (SA Legislation)		80 km/h
Minimum turning radius		11 m
Standard Equipment/features		
Arctic White (AW1) Air Suspended Driver's Seat with integral Seat Belt ELR 3-Point with Centre Lap Belt & Driver's Seat Belt Reminder Air Conditioner / Heater / Demister 12V Accessory Power Outlet Radio AM/FM + USB + AUX Central Locking and Electric Windows Dual Door Mirrors + LH Front and Side Safety Mirrors Variable RPM Control Cruise Control Engine Brake & Exhaust Brake E-viscous Fan (Intermittent operation fan) Differential Lock Buzzer clutch Wear Indicator (Preventative Maintenance) Day Time Running Lights (LED) Intelligent Instrument Cluster with On-board Diagnostic		
Standard Services		
4 Years / 300 000 km warranty		
15 000 km maintenance schedule		
20 000 km maintenance schedule		
25 000 km maintenance schedule		

Engine	
Make	FUSO
Model	6S20
Configuration	Diesel inline 6
Capacity (cm3)	6373
Type	Four stroke water cooled direct injection diesel engine
Power at RPM	170 kW @ 2200 rpm
Torque at RPM	810 Nm @ 1,200 rpm to 1600 rpm
Emission standards	Euro III
Generator	24V, 80A
Air Cleaner	Dry type – Twin Stage, Paper element
Suction	Snorkel and rain cap
Governor	Electrical control type
Transmission	
Make	FUSO
Model	G85
Type	Synchromesh gears
Shift	Manual
No. of gears forward	6
Top gear ratio	0.73
First gear ratio	6.7
Clutch	
Make	FUSO
Model	-
Type	Dry-Single plate, Hydraulic actuated control with servo assistance
Diameter (mm)	395
Drive Axle	
Make	FUSO
Reduction type	Single reduction, Hypoid gear
Final Ratio	4.3
Suspension	
Front	Parabolic leaf spring
Rear	Semi elliptic – Auxiliary spring
Stabilisers	Yes
Steering	
	Power assisted – Hydraulic
Brakes	
System type	Pneumatic
Front	Drum
Rear	Drum
ABS	Yes
Park/Emergency System	Pneumatically operated Spring actuated with hand brake
Auxiliary Brakes	Engine brake & Exhaust brake
Tyres and Rims	
Tyre Sizes	12R22.5
Wheel type	Radial, Tubeless
Electrical	
System	24V

DIMENSIONS



Model	Engine	Power (kW)	Capacity (kg)	Wheelbase (mm)	Overall Length (mm)	Overall Height (mm)	Front Track (mm)	Rear Track (mm)	Ground Clearance (mm)
FUSO F116	4D56	100	1500	2700	7000	2000	1800	1800	100
FUSO F116	4D56	100	1500	2700	7000	2000	1800	100	100
FUSO F116	4D56	100	1500	2700	7000	2000	1800	100	100

ALL DIMENSIONS ARE IN mm		A		B		C		D		E		F		G		H		I		J	
		Lock	Unlock	Lock	Unlock	Lock	Unlock	Lock	Unlock	Lock	Unlock	Lock	Unlock	Lock	Unlock	Lock	Unlock	Lock	Unlock	Lock	Unlock
E (WHEEL BASE)	F (FCH)	400	400	800	800	1000	1000	1200	1200	1800	1800	2000	2000	2700	2700	2700	2700	2000	2000	1800	1800
8100	2500																				
8000	2580																				
G (OVERALL LENGTH)	H (LOADING SPAN)																				
2880	880																				
15610	8570																				
I (OVERALL HEIGHT UNLOADING)	J (OVERALL HEIGHT)																				
2500	2630																				
2630	2630																				
K (FRONT TRACK)	L (REAR TRACK)																				
1800	1800																				
M (GROUND CLEARANCE)	N (GROUND CLEARANCE)																				
100	100																				
O (WHEEL RADIUS)	P (WHEEL RADIUS)																				
381	381																				

