

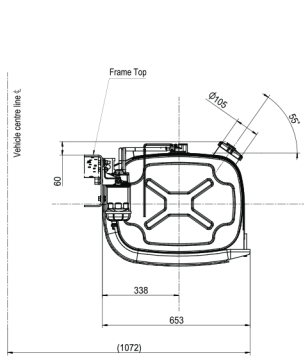
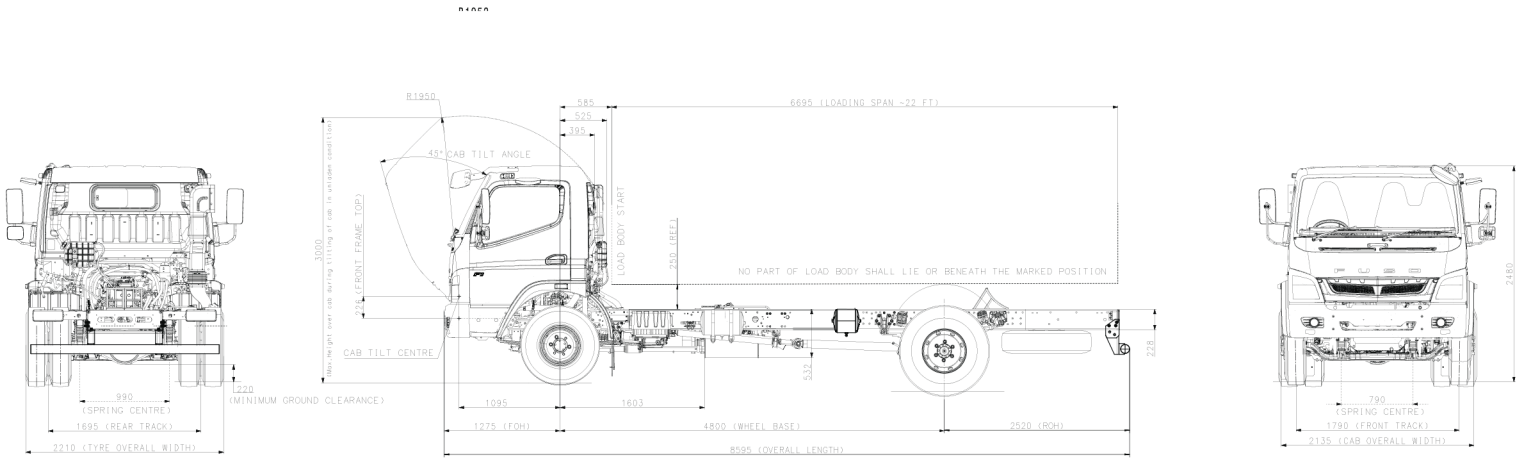
SPECIFICATIONS

FI12-170R

Make		FUSO
Range		FI
Model		FI12-170R
Model Code		FIV1PKX2RBSA
Axle Layout		4X2
Cab		Forward Control
Crew		3 seating
Vehicle type		Rigid
Mass Data (kg)		
GVM	Manufacturer's gross vehicle mass	12800
GCM	Manufacturer's gross combination mass	12800
D/T	Permissible max towing drawing vehicle mass	12800
GA-Front	Manufacturer's front axle mass	4500
GA-Rear	Manufacturer's rear axle mass	8300
V	Permissible maximum vehicle mass	12800
AF	Permissible maximum front axle mass	4500
AR	Permissible maximum rear axle mass	8300
UF	Unladen front axle mass	2295
UR	Unladen rear axle mass	1610
UT (Tare)	Total unladen mass	3905
Permissible Body + Payload		8895
Fuel Tank (Litres)	Capacity	200
Dimensions (mm)		
OL	Overall length	8595
OW	Overall width	2210
CA	Cab to Axle	4175
OH	Overall height	2480
FOH	Front overhang	1275
ROH	Rear overhang	2400
WB	Wheelbase	4800
Performance		
Gradeability at Permissible Maximum Weight (V) (tan ⓧ)		39.30%
Maximum Speed (SA Legislation)		80 km/h
Minimum turning radius		9.35 m
Standard Equipment/features		
Arctic White (AW1) Air Conditioner / Heater / Demister Exhaust Brake System Lockable Fuel Tank Cap 12V Accessory Power Outlet Radio AM/FM + USB + AUX Central Locking and Electric Windows Intelligent Instrument Cluster (DTE, Fuel Economy, Engine Run Hours) Speedometer, Tacho, Air and Fuel Gauges Dual Door Mirrors + LH Front and Side Safety Mirrors Variable RPM Control E-Viscous Fan (intermittent fan operation improves fuel economy) Telescoping and Tilt Steering Column with Steering Lock Additional Roof Storage		
Standard Services		
4 year / 300 000 km Warranty		
15 000km maintenance schedule		

Engine	
Make	FUSO
Model	4D37
Configuration	Diesel inline 4
Capacity (cm3)	3907
Type	4-stroke, water cooled direct injection, turbocharged diesel engine
Power at RPM	125 @ 2500 - 2500
Torque at RPM	520 @ 1500 - 1500
Emission standards	Euro 3
Generator	24 V / 80 A
Air Cleaner	Dry type - twin stage, paper element
Suction	Snorkel and rain cap
Governor	Electrical control type
Transmission	
Make	FUSO
Model	G-85
Type	Synchromesh gears
Shift	Manual
No. of gears forward	6
1st gear ratio	6.696
Top gear ratio	0.728
Clutch	
Make	LUK
Model	-
Type	Hydraulic Single Dry Plate
Diameter (mm)	362
Drive Axle	
Reduction type	Single reduction
Final Ratio	6.33
Suspension	
Front	Semi Elliptic-multi leaf spring
Rear	Semi Elliptic-multi leaf spring
Steering	
	Hydraulic power assisted
Brakes	
System type	Pneumatic, Foot operated, Dual line acting on all wheels
Front	Drum
Rear	Drum
ABS	Yes
Park/Emergency System	Yes
Auxiliary Brakes	Exhaust brake
Tyres and Rims	
Tyre Sizes	265 / 70 R 19.5
Wheel type	Drum Type
Electrical	
System	24V

DIMENSIONS



Side view of Fuel Tank
Capacity (filling): 200 Litre
Scale: 1:6

