

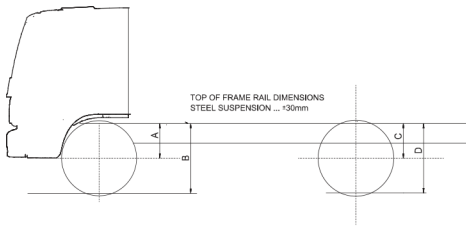
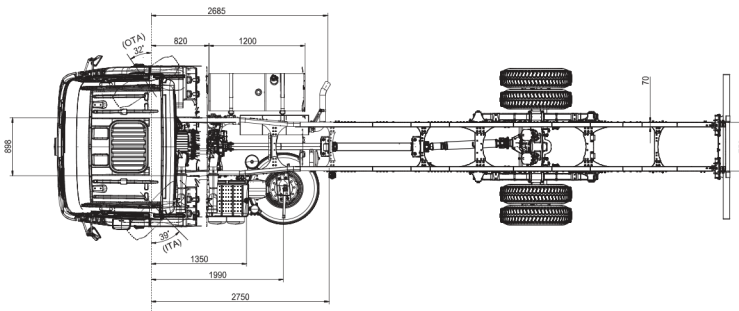
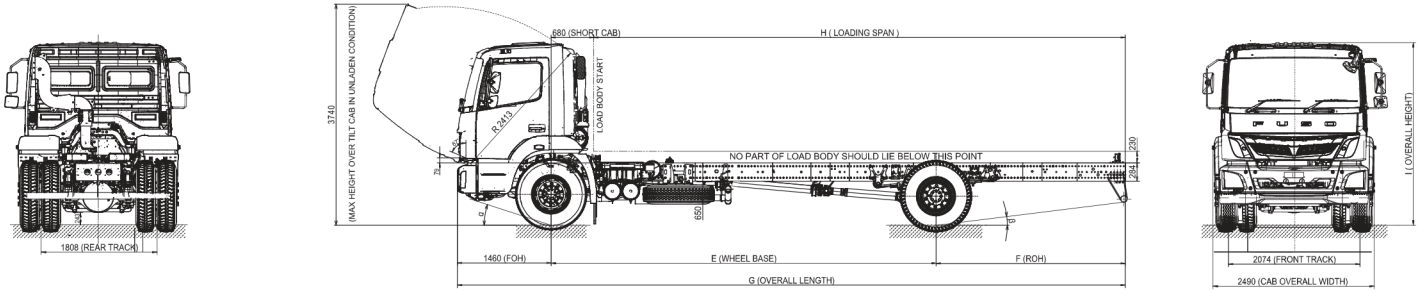
# SPECIFICATIONS

# FJ18-280S

| Make  |   | FUSO             |
|---|---|------------------|
| Range   |   | FJ               |
| Model   |   | FJ18-280S        |
| Model Code  |   | FJX4WL2RBSA      |
| Axle Layout   |   | 4x2              |
| Cab   |   | Extended Day cab |
| Crew  |   | 3 seating        |
| Vehicle type  |   | Rigid            |
| Mass Data (kg)  |   |                  |
| GVM   | Manufacturer's gross vehicle mass           | 18500            |
| GCM   | Manufacturer's gross combination mass       | 32000            |
| D/T   | Permissible max towing drawing vehicle mass | 32000            |
| GA-Front  | Manufacturer's front axle mass              | 7500             |
| GA-Rear   | Manufacturer's rear axle mass               | 11000            |
| V   | Permissible maximum vehicle mass            | 16500            |
| AF  | Permissible maximum front axle mass         | 7500             |
| AR  | Permissible maximum rear axle mass          | 9000             |
| UF  | Unladen front axle mass                     | 4106             |
| UR  | Unladen rear axle mass                      | 2418             |
| UT (Tare)   | Total unladen mass                          | 6524             |
| Permissible Body + Payload  |   | 9976             |
| Fuel Tank (Litres)  | Capacity                                    | 290              |
| Dimensions (mm)   |   |                  |
| OL  | Overall length                              | 9060             |
| OW  | Overall width                               | 2490             |
| CA  | Cab to Axle                                 | 4490             |
| OH  | Overall height                              | 2985             |
| FOH   | Front overhang                              | 1460             |
| ROH   | Rear overhang                               | 2500             |
| WB  | Wheelbase                                   | 5100             |
| Performance   |   |                  |
| Gradeability at Permissible Maximum Weight (V)  |   | 80%              |
| Maximum Speed (SA Legislation)  |   | 80 km/h          |
| Minimum turning radius  |   | 10.212 m         |
| Standard Equipment/features   |   |                  |
| Arctic White (AW1)<br>Air Suspended Driver's Seat with integral Seat Belt<br>ELR 3-Point with Centre Lap Belt & Driver's Seat Belt Reminder<br>Air Conditioner / Heater / Demister<br>12V Accessory Power Outlet<br>Radio AM/FM + USB + AUX<br>Central Locking and Electric Windows<br>Dual Door Mirrors + LH Front and Side Safety Mirrors<br>Variable RPM Control<br>Cruise Control<br>Engine Brake & Exhaust Brake<br>E-viscous Fan (Intermittent operation fan)<br>Differential Lock Buzzer<br>clutch Wear Indicator (Preventative Maintenance)<br>Day Time Running Lights (LED)<br>Intelligent Instrument Cluster with On-board Diagnostic<br>Anti Roll / stabilizer Bars (Front and Rear) |   |                  |
| Standard Services   |   |                  |
| 4 year / 300 000 km Warranty  |   |                  |
| 15 000 km maintenance schedule  |   |                  |
| 20 000 km maintenance schedule  |   |                  |
| 25 000 km maintenance schedule  |   |                  |

| Engine                      |  |
|-----------------------------|--|
| Make                        | FUSO   |
| Model                       | 6S20   |
| Configuration               | Diesel inline 6  |
| Capacity (cm <sup>3</sup> ) | 6373   |
| Type                        | Four stroke water cooled direct injection diesel engine            |
| Power at RPM                | 205 kW @ 2200 rpm  |
| Torque at RPM               | 1100 Nm @ 1200 rpm to 1600 rpm                                     |
| Emission standards          | Euro III   |
| Generator                   | 24V, 80A   |
| Air Cleaner                 | Dry type – Twin Stage, Paper element                               |
| Suction                     | Snorkel and rain cap   |
| Governor                    | Electrical control type  |
| Transmission                |  |
| Make                        | FUSO   |
| Model                       | G131   |
| Type                        | Synchromesh gears  |
| Shift                       | Manual   |
| No. of gears forward        | 9  |
| 1st gear ratio              | 14.57  |
| Top gear ratio              | 1.0  |
| Clutch                      |  |
| Make                        | FUSO   |
| Model                       | -  |
| Type                        | Dry-Single plate, Hydraulic actuated control with servo assistance |
| Diameter (mm)               | 395  |
| Drive Axle                  |  |
| Make                        | FUSO   |
| Reduction type              | Single reduction, Hypoid gear                                      |
| Final Ratio                 | 4.3  |
| Suspension                  |  |
| Front                       | Parabolic leaf spring  |
| Rear                        | Semi elliptic – Auxiliary spring                                   |
| Stabilisers                 | Yes  |
| Steering                    |  |
|                             | Power assisted – Hydraulic   |
| Brakes                      |  |
| System type                 | Pneumatic  |
| Front                       | Drum   |
| Rear                        | Drum   |
| ABS                         | Yes  |
| Park/Emergency System       | Pneumatically operated Spring actuated with hand brake             |
| Auxiliary Brakes            | Engine brake & Exhaust brake                                       |
| Tyres and Rims              |  |
| Tyre Sizes                  | 315 / 80R 22.5   |
| Type                        | Radial, Tubeless   |
| Electrical                  |  |
| System                      | 24V  |

# DIMENSIONS



ALL DIMENSIONS ARE IN mm

| E (WHEEL BASE) | F (ROH) | G ( OVERALL LENGTH) | H (LOADING SPAN) | I (OVERALL HEIGHT - UNLADEN) | β   |
|----------------|---------|---------------------|------------------|------------------------------|-----|
| 5100           | 2500    | 9060                | 6920             | 2985                         | 10° |
| 6000           | 2950    | 10410               | 8270             | 2985                         | 8°  |

